

**VISIBILITY**

**AVAILABILITY**

**SECURITY**

**RELIABILITY**

**STEALTH**



## Network TAPs



The AxiioTAP™ technology provides secure, reliable, non-intrusive access to the data circulating on your network. Particularly for switched networks, installing AxiioTAPs can add unprecedented visibility, allowing complete access to traffic on any link.

The AxiioTAPs maintain 24/7/365 access to mission critical network links and provide service availability during troubleshooting while avoiding security appliances and monitoring devices to be single points of failure.





- Connects to your network in seconds
- Completely transparent to your network
- Fails-closed, can not create a point-of-failure
- No MAC or IP Address, can not be attacked

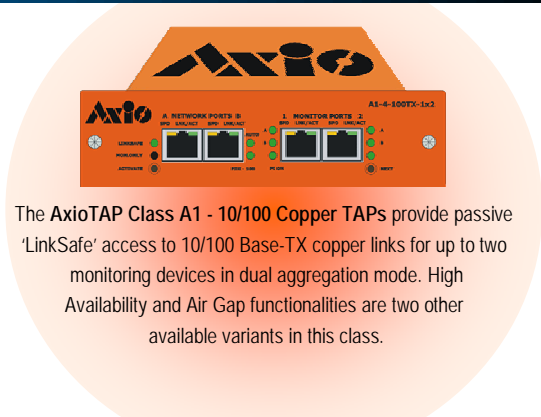
The AxioTAP provides a stealth, secured access port for any monitoring device used to collect inline data, including intrusion detection or prevention, protocol analysis, denial of service or remote monitoring tools. A monitoring device connected to an AxioTAP receives the same traffic as it would if it were located directly on the wire. The AxioTAP can send traffic data to the monitoring device by splitting or regenerating the network signal. Neither splitting nor regeneration introduce delay, or change the content or structure of information packets. If a TAP fails, traffic continues to run, and the network is not affected.

Because AxioTAPs do not interfere with the data stream, they can be deployed permanently in-line without affecting network performance. Once AxioTAPs are in-line, managers and administrators can monitor without changing any network connections, enabling 24/7 monitoring with zero downtime, with any device. Additionally the AxioTAPs provide an invaluable frontline of defense by preventing the monitoring device from being attacked by an intruder.

Regardless of your link type, or monitoring device type, there is an AxioTAP that fits your requirements and your budget.

**The AxioTAP product family offers flexibility with a variety of models for copper and multi- or single-mode optical fiber.**

The AxioTAP Fiber or Copper TAPs are ideal for undetected, fail-safe monitoring of full duplex Ethernet Network data transmission traffic. Selectively programmable, one can choose to monitor the traffic in one direction on one monitor port and the other direction on the other monitor port, or aggregate duplex traffic on both monitor ports. Multiple LEDs provide useful link activity indication and configuration information for easy installation, operation and troubleshooting. AxioTAPs are available for all Ethernet network technologies, including 10/100M bit/sec Ethernet, Gigabit Ethernet.



The AxioTAP Class A1 - 10/100 Copper TAPs provide passive 'LinkSafe' access to 10/100 Base-TX copper links for up to two monitoring devices in dual aggregation mode. High Availability and Air Gap functionalities are two other available variants in this class.

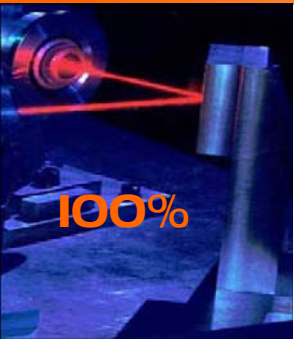
The AxioTAP Class A2 - Gig Fiber TAPs are ideal for undetected, fail-safe monitoring of full duplex 1000Base-SX and LX Fiber Gigabit Ethernet Network data transmission traffic by Copper Gigabit monitoring devices. Optical splitter technology provides uni-directional monitoring port traffic isolated from the network, ensuring no packet loss in the event of power



The AxioTAP Class A3 - Gig LinkSafe TAPs are ideal for undetected, fail-safe monitoring of full duplex Fast and Gigabit Ethernet Network data transmission traffic. High Availability model is also available for deployments in redundant network configurations.



The AxioTAP Class A4 - Dual IPS Gig TAPs are specifically designed for in-line redundant IPS application devices to continuously monitor single critical full duplex Fast and Gigabit Ethernet Network data transmission traffic segments. Provides a fail over path from the Primary Monitoring Device to a Secondary Device via two (2) additional 1000Base-T ports for uninterrupted Monitoring of critical network traffic. Comes with internal redundant PSUs.



**100% Visibility** of the traffic guarantees complete data capture at full line speed over full-duplex switched networks.

**100% Availability** during power loss - the AxioTAPs and the connected devices aren't points of failure.

**100% Stealth** operation mode makes the AxioTAPs and the attached devices non-attackable.

**100% Network Access** enables administrators to plug and play any monitoring or security device without disrupting the existing network connection.

**100% Plug and Play** & ease of use : programmable through front plate buttons or serial port.

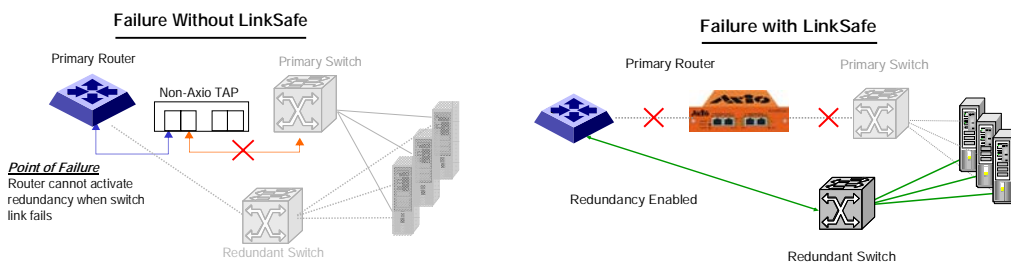
## AxioTAP Benefits

- Stand-alone units : upgrades and replacements of monitoring devices without affecting the network. No break of the network connection.
- Multiple monitoring ports leverage the simultaneous use of several monitoring or security devices.
- Traffic aggregation : full-duplex traffic is aggregated into a single stream so that state-full IDS systems can see both sides of a conversation and therefore receive fewer false positives.
- Allow bi-directional traffic: Packet Injection enables TCP resets to be automatically sent by IDS systems, hence terminating offending sessions and saving valuable administration time and cost.
- Guarantees high-volume data delivery : unlike SPAN ports or mirror mechanisms on a switch, the AxioTAP cannot drop packets, nor can it affect the switch performance.
- No downtime: provides permanent access to your mission critical links, you never need to bring the link down in order to attach a monitoring device. Even when the power to the TAP or monitoring device fails, your critical link will continue to perform.
- Support for Power over Ethernet with compatibility to switches and other devices that supply power over Ethernet cables.
- Redundant power supplies ensure uninterrupted monitoring even if the main power source is unavailable.

## AxioTAP Applications

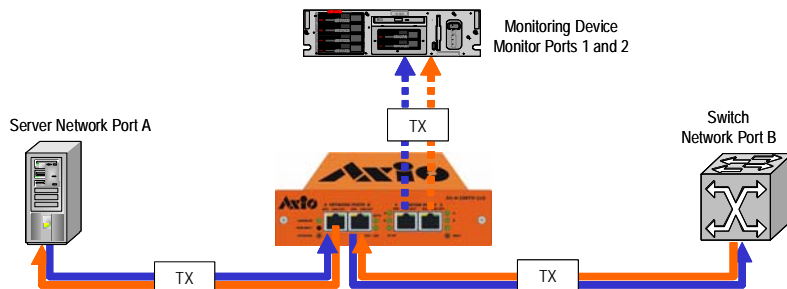
### LinkSafe Feature

The LinkSafe AxioTAPs integrate an intelligent controller which enables link failure to be detected by network devices both sides of the TAP thereby enabling routers and switches to execute redundant links whenever appropriate. Because the AxioTAP is automatically re-establishing the primary link whenever it becomes available again, no user intervention is required when a link fails or resumes working again.



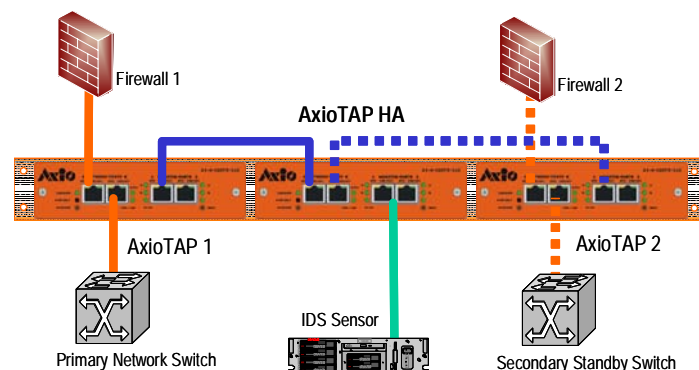
### AxioTAPs vs. Span / Mirror Ports

For switched network environments that demand full-duplex gigabit monitoring SPAN ports or mirror ports are inadequate. AxioTAP enables complete visibility to full-duplex links without frame arrival time distortion or dropped packets. Plus AxioTAPs do not affect switch performance and assure up to 2000 Mbps of data delivery to the monitoring devices.



### High Availability

The AxioTAP HA series are designed to be deployed in redundant network configurations where typically a NIDS sensor is connected to an active link and a fail-over path. The HA TAPs enable administrators to simultaneously monitor the primary link and the warm-standby link using a single sensor. Asymmetrically routed networks are also supported by this configuration using one sensor and a HA TAP. HA AxioTAPs are available for 10/100 and Gigabit Ethernet networks.



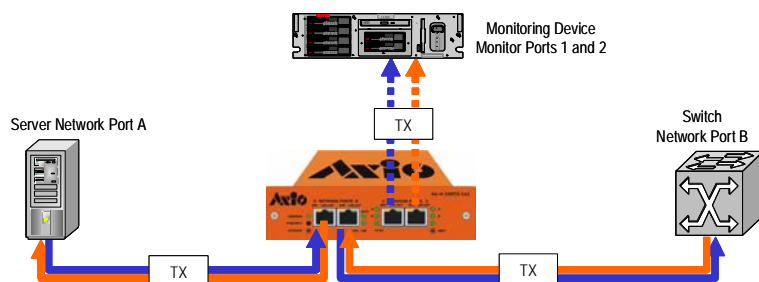
# AxioTAP is the right choice!



- No point of failure. Fail-close on power loss.
- No need to use Hub, SPAN, Mirror switch ports for monitoring.
- Complete traffic picture - view layer 1 and 2 traffic errors and anomalies.
- Completely fault tolerant devices.
- See both ends of a Full-Duplex link.
- Redundant PS - internal or external
- Cord retention system
- Sensor isolation - cannot be attacked
- Network transparent
- Programmable through front plate buttons
- Programmable Packet Injection feature (Packet resets/ ICMP)
- Auto-negotiation / sensing

## Ease of use - Built to last!

- LED indicators on the front plate showing link activity, and selected configuration options
- Plug and play, selectively programmable using buttons on the face plate
- Front mounted connectors support easy installation and operation
- Optional 19" rack frames hold up to 3 TAPs in a 1U space
- Built in metal cases with face plate screws for easy installation in 19" racks
- Tested and compatible with all major manufacturers monitoring devices, including IDS, IPS, content security and load balancer appliances



## Warranty & Support

- Free technical support throughout the lifetime of the product via phone, web, email and fax.
- All AxioTAPs are available with a 3 years limited standard warranty.
- AXIOTAP Customer Service is available Monday through Friday from 8:30AM. to 5:30PM. CST.

# 1stmarkets®

Corporate Headquarters :

1stmarkets, Inc. 101 Convention Center Dr. Suite 700,  
Las Vegas, 89126 Nevada, USA

American Operations : +1 214 432 5882

European Operations : + 49 816 798 95 31

email : [axio@1stmarkets.com](mailto:axio@1stmarkets.com)

Visit our Website at :

[www.axiotap.com](http://www.axiotap.com)

ORDERING INFORMATION	
Model Number	Product Name
<b>AxioTAP Class A4 : Gig IPS TAPs</b>	
A4-6-1000TX-1x4	<b>Axio Gig IPS Copper</b>
A4-6-1000SX-1x4	<b>Axio Gig IPS Fiber MM</b>
A4-6-1000LX-1x4	<b>Axio Gig IPS Fiber SM</b>
<b>AxioTAP Class A3 : Dual Gig TAPs</b>	
A3-4-1000TX-1x2	<b>Axio Dual Gig Copper</b>
A3-4-1000TX-1x2-HA	<b>Axio Dual Gig Copper HA</b>
A3-4-1000SX-1x2	<b>Axio Dual Gig Fiber MM</b>
A3-4-1000LX-1x2	<b>Axio Dual Gig Fiber SM</b>
<b>AxioTAP Class A2 : Monitor Gig Fiber TAPs</b>	
A2-4-1000SX-1x2	<b>Axio Monitor Fiber MM</b>
A2-4-1000LX-1x2	<b>Axio Monitor Fiber SM</b>
<b>AxioTAP Class A1 : 10/100 Copper TAPs</b>	
A1-4-100TX-1x2	<b>Axio LinkSafe 100 Copper</b>
A1-4-100TX-1x2-AG	<b>Axio LinkSafe 100 Copper AG</b>
A1-4-100TX-1x2-HA	<b>Axio 100 Copper HA</b>
<b>AxioTAP Class A0 : Accessories</b>	
A0-3-TR1U	<b>AxioRack3 Plate</b>
A0-2-PS1E	<b>Axio Redundant External PS</b>
A0-XX-PC-XX	<b>Axio Country Specific Power Cables</b>